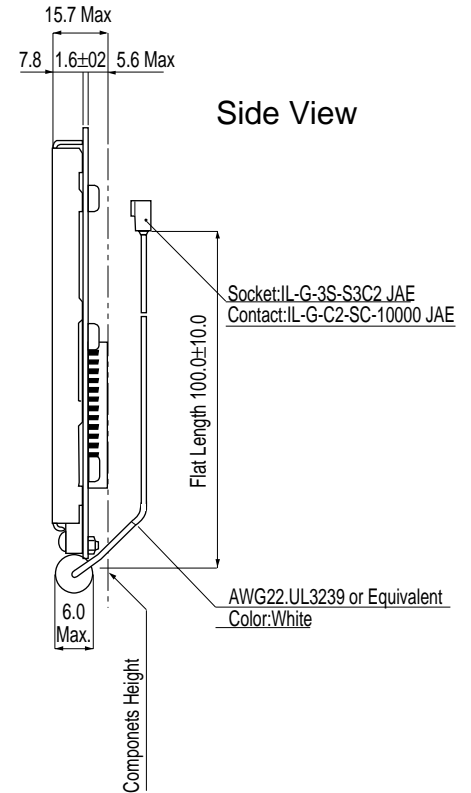
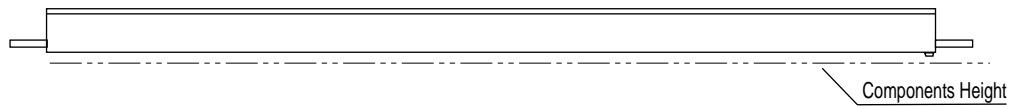
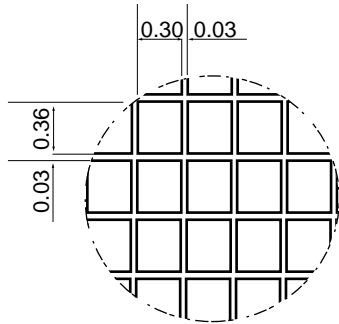
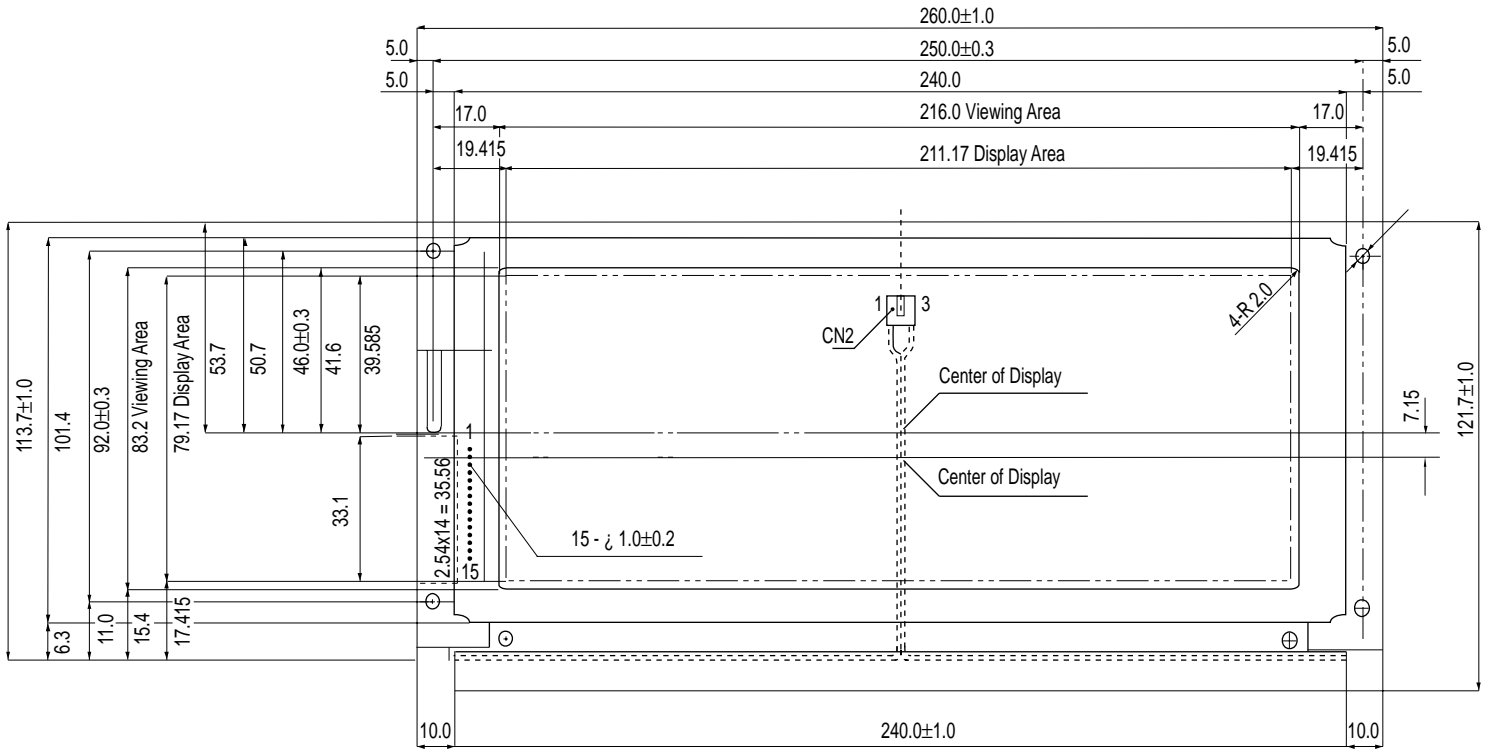


G649D

(640 x 200) Unit: mm General Tolerance ± 0.5



CN1 G649D			
No.	Symbol	No.	Symbol
1	V _{ED}	9	D0
2	F _{ED}	10	D1
3	CL2	11	D2
4	INHX	12	D3
5	FLM	13	V _{LC}
6	CL1	14	V _b
7	V _{SS}	15	V _{SS}
8	M		

CN2 CFL	
No.	Symbol
1	AC IN
2	NC
3	AC IN